



SUA-110ECx-x-S236

Shell Material :	Color :
Blank : BRASS	White : W
I : SPCC	Black : B

SPECIFICATIONS

Electrical:

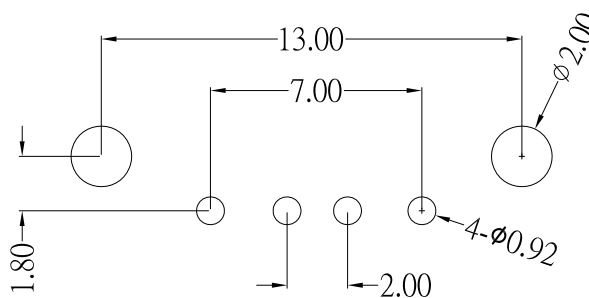
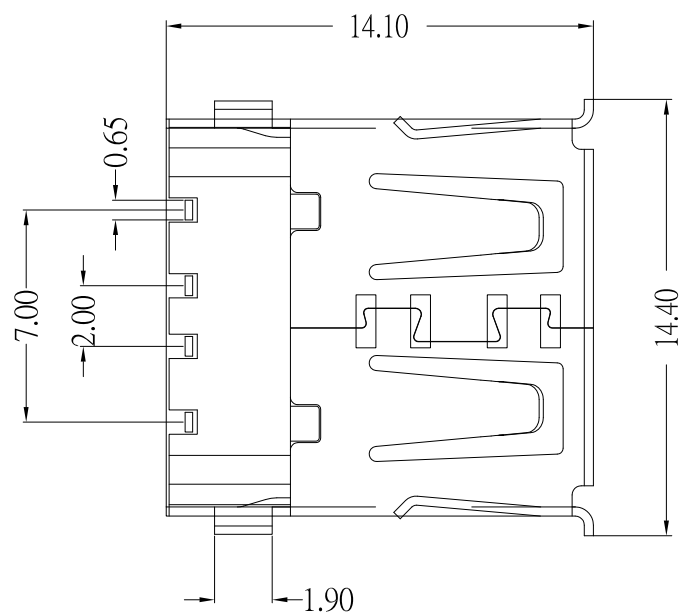
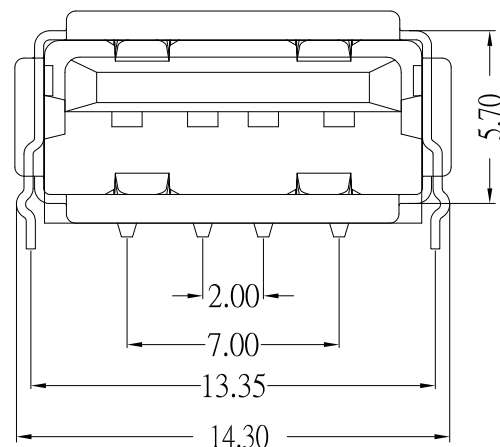
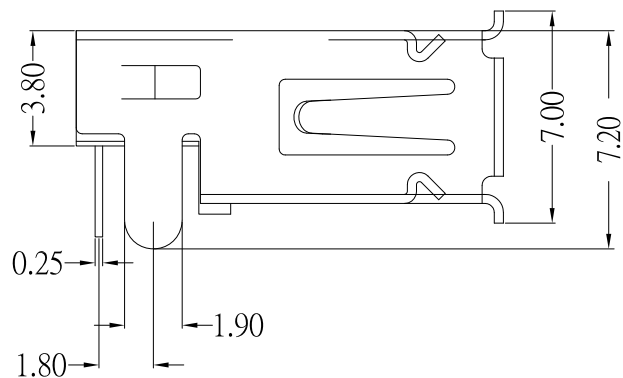
- 1.Voltage Current Rating: 1.5 AMP, 30VAC
- 2.Contact Resistance: 30 mΩ Max
- 3.Insulation Resistance: 1,000 MΩ Min
- 4.Dielectric Withstanding Voltage: 500 V AC
- 5.Operating Temperature: -35°C ~ 85°C

Material:

- 1.Housing: PBT
- 2.Contact: Phosphor Bronze
- 3.Shell: Brass / Spcc

Finish:

- 1.Contact: Plated Gold in Mating Area ;
Tin Plated on Solder Balls ;
Nickel under plated overall
- 2.Shell: Nickel under Plated surface layer



RECOMMENDED P.C.B LAYOUT



TOLERANCE UNLESS OTHERWISE STATED :
 Up to 5 ±0.2
 Above 5 ~ 15 ±0.3
 Above 15 ~ 30 ±0.4
 Above 30 ~ 50 ±0.5
 Angle ±0.3°

3RD. ANGEL'S



UNITS MM

DRAWN BY:	DATE	MAT'L	TITLE	CONNECTOR
Jack Lu	06/30/20			
CHECKED BY:	DATE	FINISH	MODLE	USB A/F 沉板H: 3.8mm 有捲邊 腳距1.80
Jacky Chen	06/30/20			
APPROVED BY:	DATE	SCALE	DWG NO.	SUA-110ECx-x-S236
Tony Kao	06/30/20	1 : 1	PART NO.	SUA-110ECx-x-S236
		SHEET NO.	1 of 1	
				SIZE A4
				VER R1

1	更新樣式	Jack	063020
ITEM NO.	DESCRIPTION	DRAWN	DATE